

L4 PORTABLE WATER PACKAGING MACHINE



By General Packaging Equipment Company

L4 PORTABLE BY GENERAL

The model L4 automatically makes and fills water pouches with sizes up to one liter at a rate of up to 1,000 per hour. This machine is portable on wheels and operates on 120 V, 12 amps. It will operate with commercially available portable water purification units. A roll of film 12 inches in diameter and 13 inches wide will make approximately 3,700 one-liter pouches.

Features:

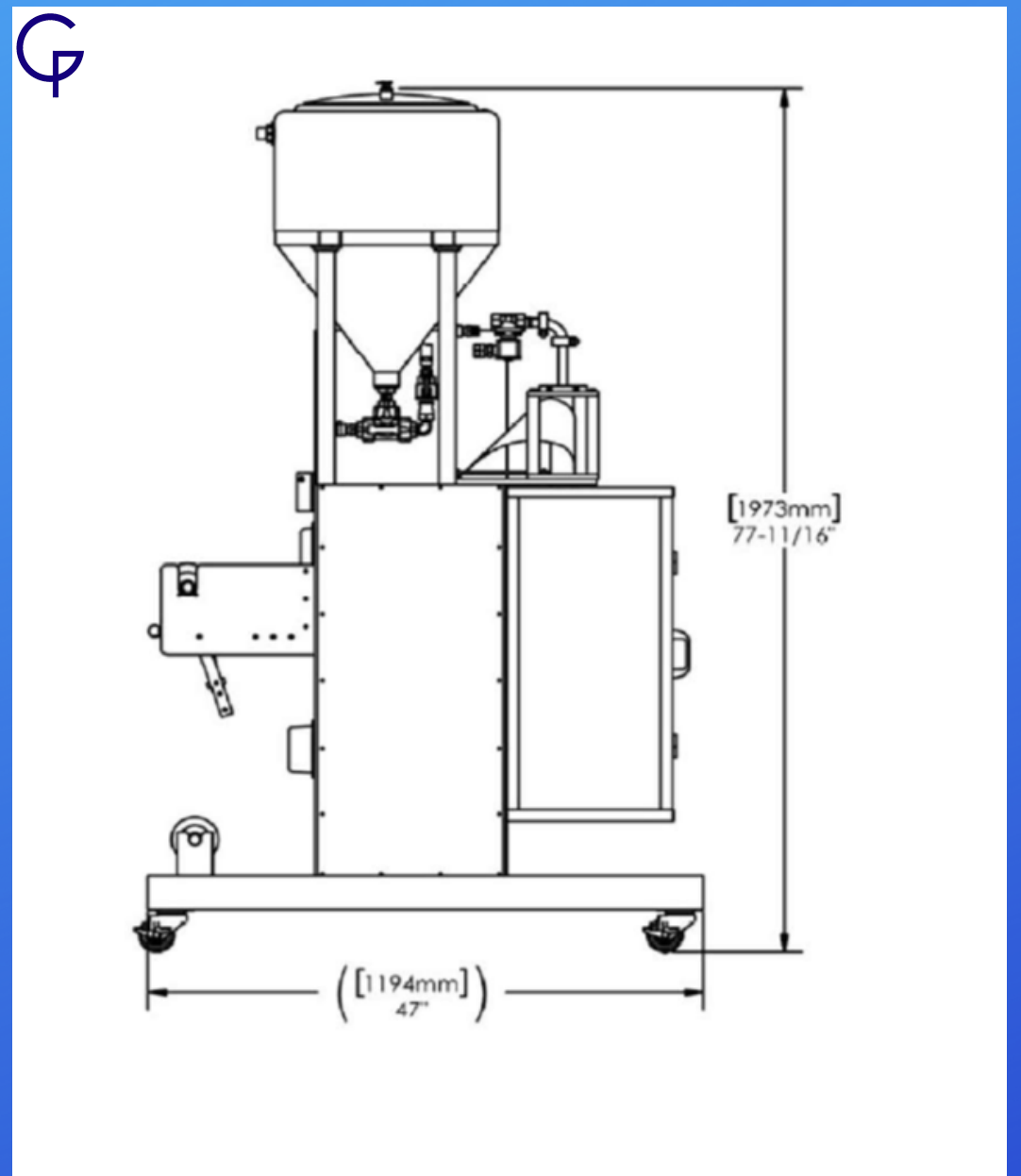
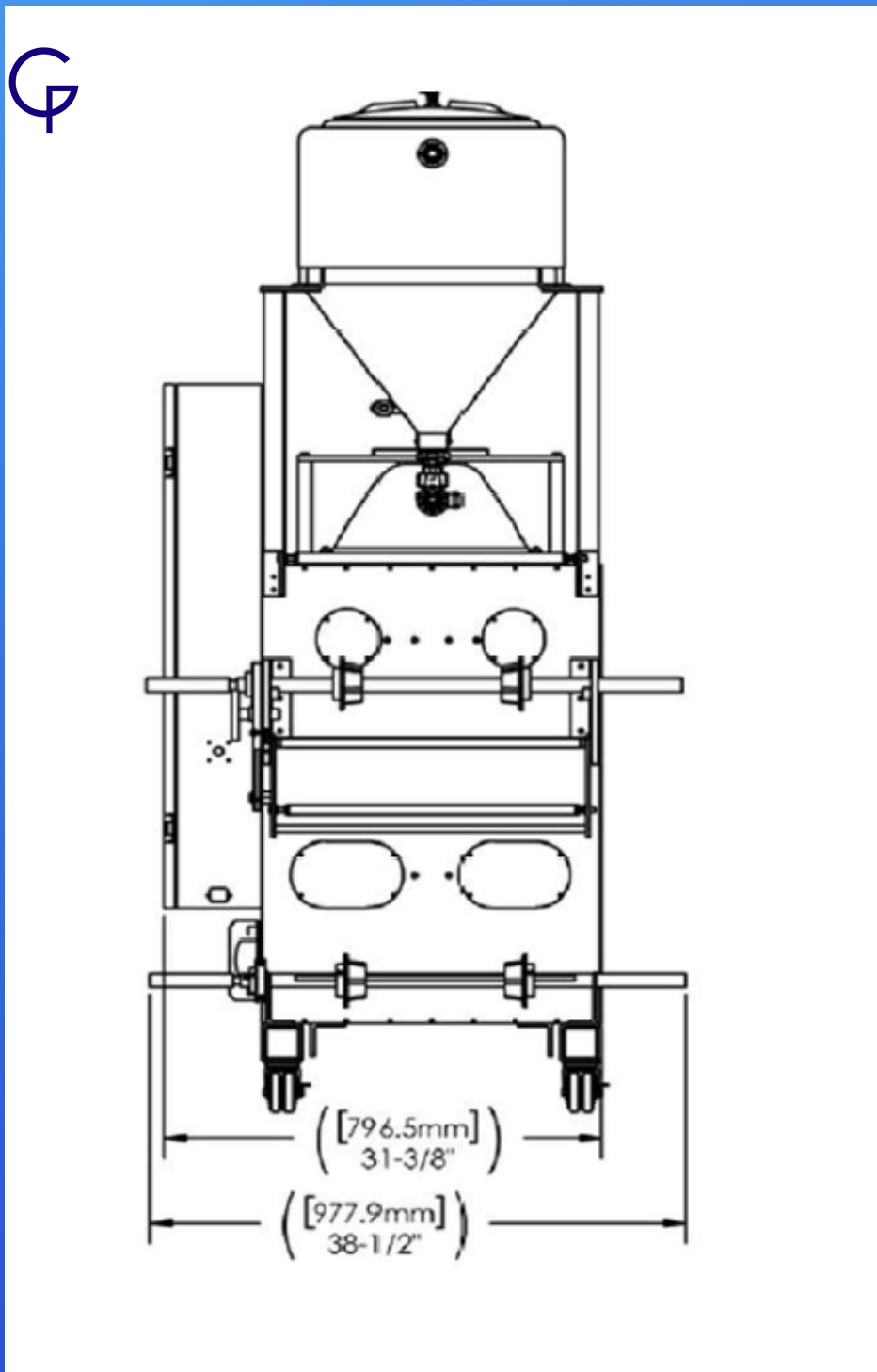
- **Designed for quick deployment in disaster relief**
- **Automatically makes and fills bags using continuous roll stock**
- **Synchronizes with a portable water purification unit**
- **Produces up to 6,000 – 1-liter bags in an 8-hour shift**
- **All electric operation with low power consumption**
- **Transportable in a pickup truck or can be installed in a trailer or ISO container**
- **Portable on casters**
- **Touch screen package size adjustment options**
- **Multiple fill options**

Typical Packaging Sizes:

- **1 liter- 150mm wide x 254mm long**
- **500 ml-150mm wide x 180mm long**
- **1 quart-6" wide x 9 1/2" long**
- **16oz.-6" wide x 6 5/8" long**

[CLICK HERE FOR A MORE IN-DEPTH LOOK AT THIS MACHINE!](#)

L4 PORTABLE DIMENSIONS



General Packaging Equipment Co.
6048 Westview Dr. Houston, TX 77055
Tel: (713)-686-4331
www.generalpackaging.com
email: sales@generalpackaging.com